

Ceiling Mounted Fan Coil Unit



- Highly efficient fan motor
- Corrosion resistant cabinet for durability

		KCM-18CHW	KCM-24CHW	KCM-36CHW	KCM-60CHW
Cooling Capacity	BTU/h	18,000	24,000	36,000	60,000
	kJ/h	18,990	25,320	37,980	63,300
Waterflow	L/S	0.23	0.30	0.45	0.75
Airflow	(CMH) / (CFM)	1,100 / 647	1,100 / 647	1,500 / 882	2,400 / 1,411
Sound Level	dB(A) (Low Cool)	42	42	45	52
Running Current	Amps	1.0	1.0	2.0	2.0
Volts/Hz/Ph		230/60/1	230/60/1	230/60/1	230/60/1
Dimension WxDxH	(mm)	1,007 x 670 x 271	1,007 x 670 x 271	1,402 x 670 x 271	1,794 x 670 x 271
Weight	(Kg)	48	48	66	74
Pipe Connection Diameter	In/Out (Inch)	3/4	3/4	7/8	1-1/8

Note:

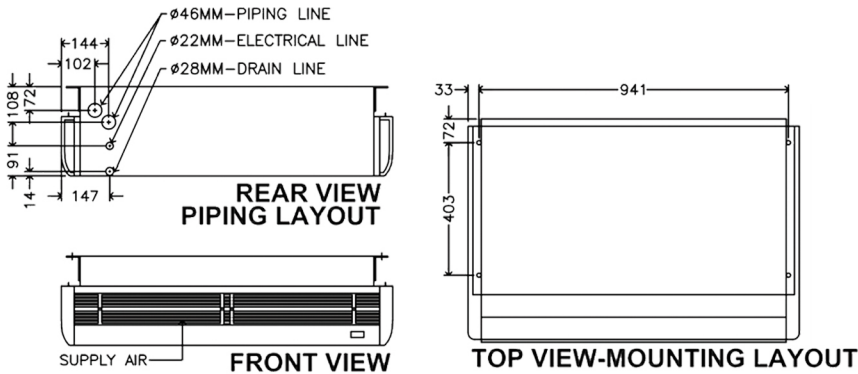
(1) Cooling capacity condition: Indoor 27 °C DB (81 °F), 19.5°C WB (67°F)

Water Temperature Entering 7.2°C (45°F)

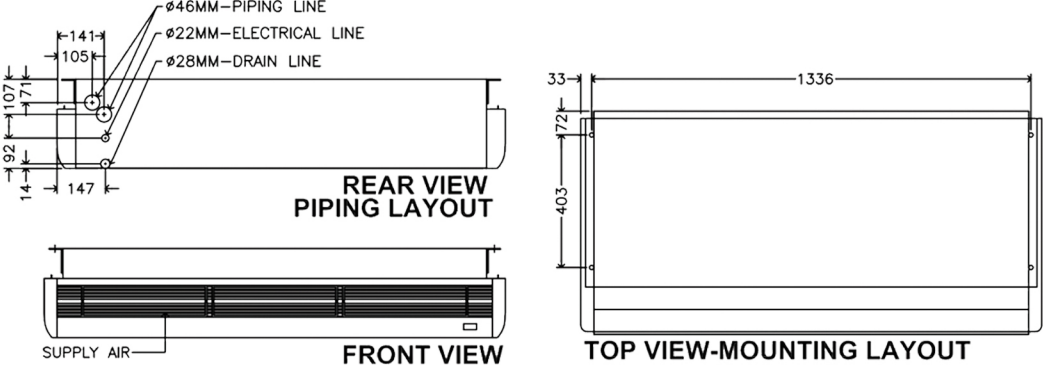
Water Temperature Leaving 12.8°C (55°F)

(2) Specifications are subject to change without prior notice for continuous product improvement.

KCM-18CHW, KCM-24CHW



KCM-36CHW



KCM-60CHW

