



SPLIT CEILING CASSETTE TYPE

---

# STRUCTURE & WIRING DATA

Model:

KCA-24R2 / KPC-24JH2



Outdoor Unit

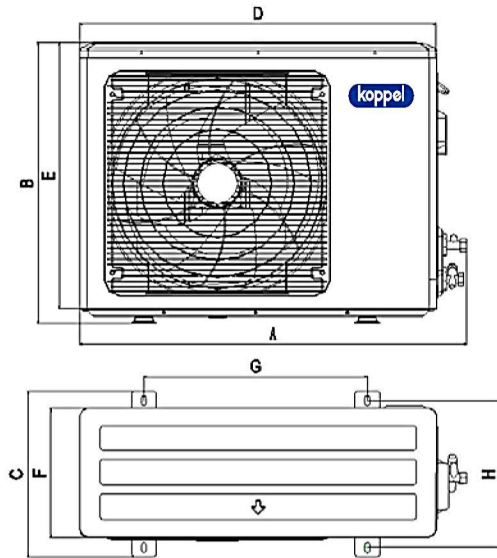


# CEILING CASSETTE TYPE

Outdoor Unit

Drawing Dimension

MODEL: KPC-24JH2



Unit:mm

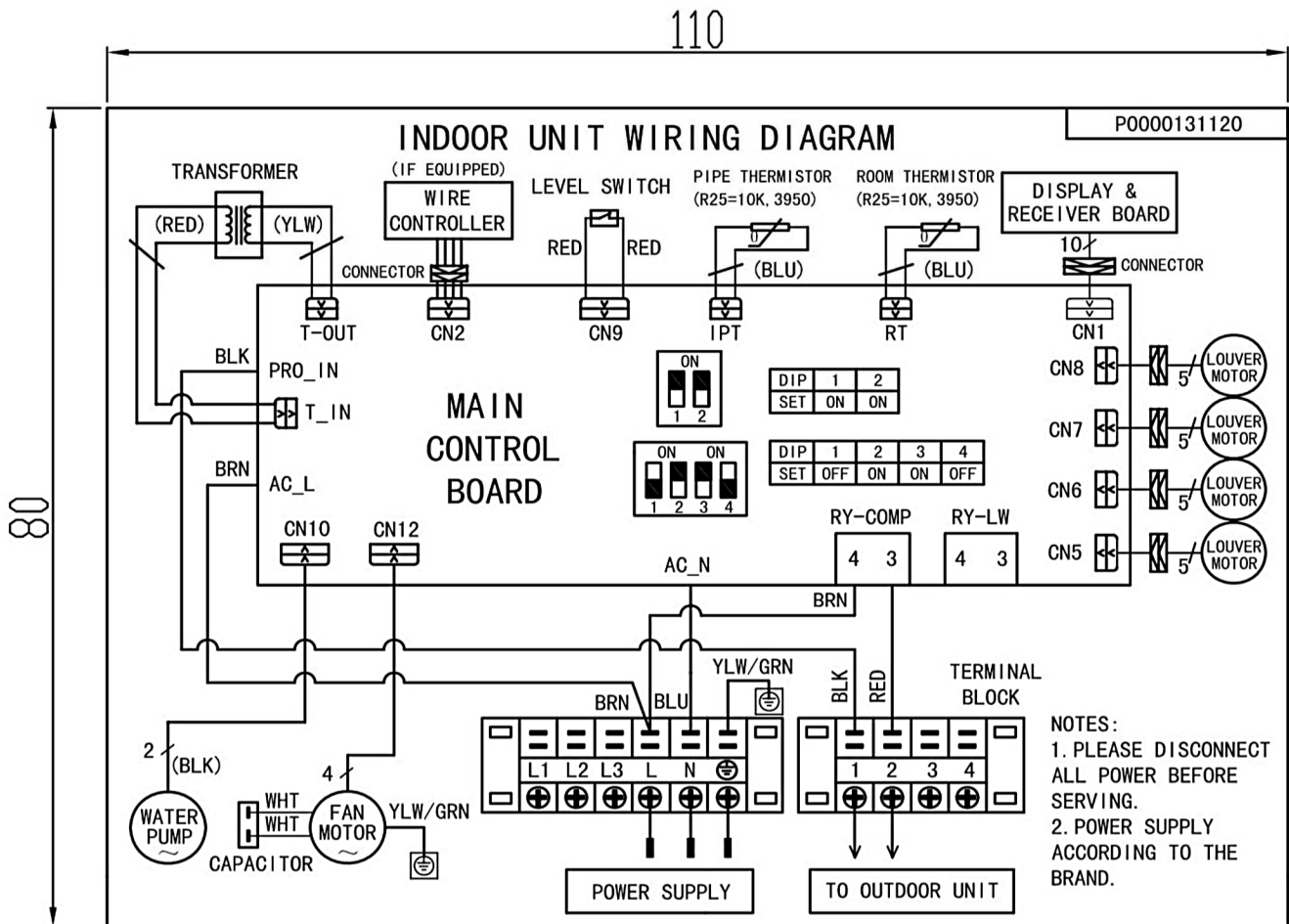
Dimensions	A	B	C	D	E	F	G	H
Model								
24K	897	680	370	845	667	310	566	328

# CEILING CASSETTE TYPE

Indoor Unit

## Wiring Diagram

MODEL: KCA-24R2

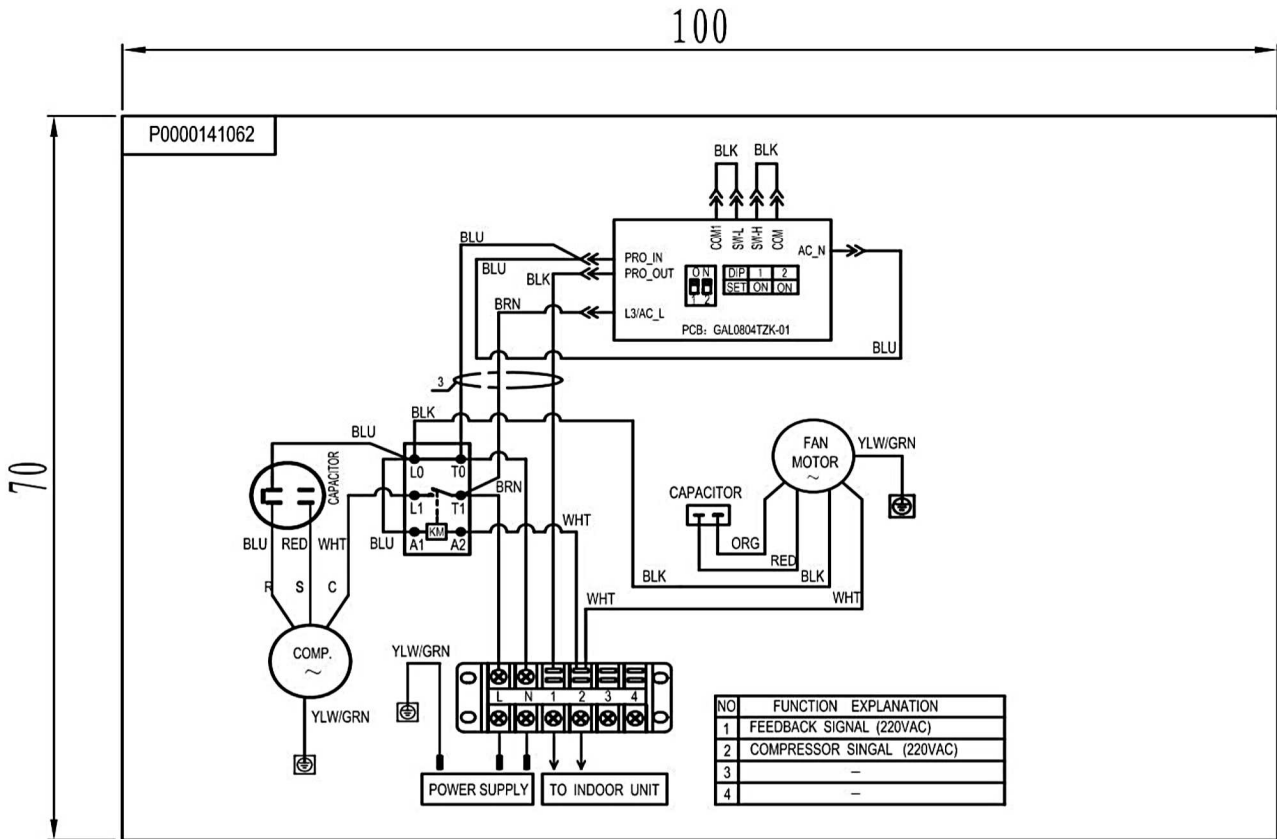


# CEILING CASSETTE TYPE

Outdoor Unit

## Wiring Diagram

MODEL: KPC-24JH2

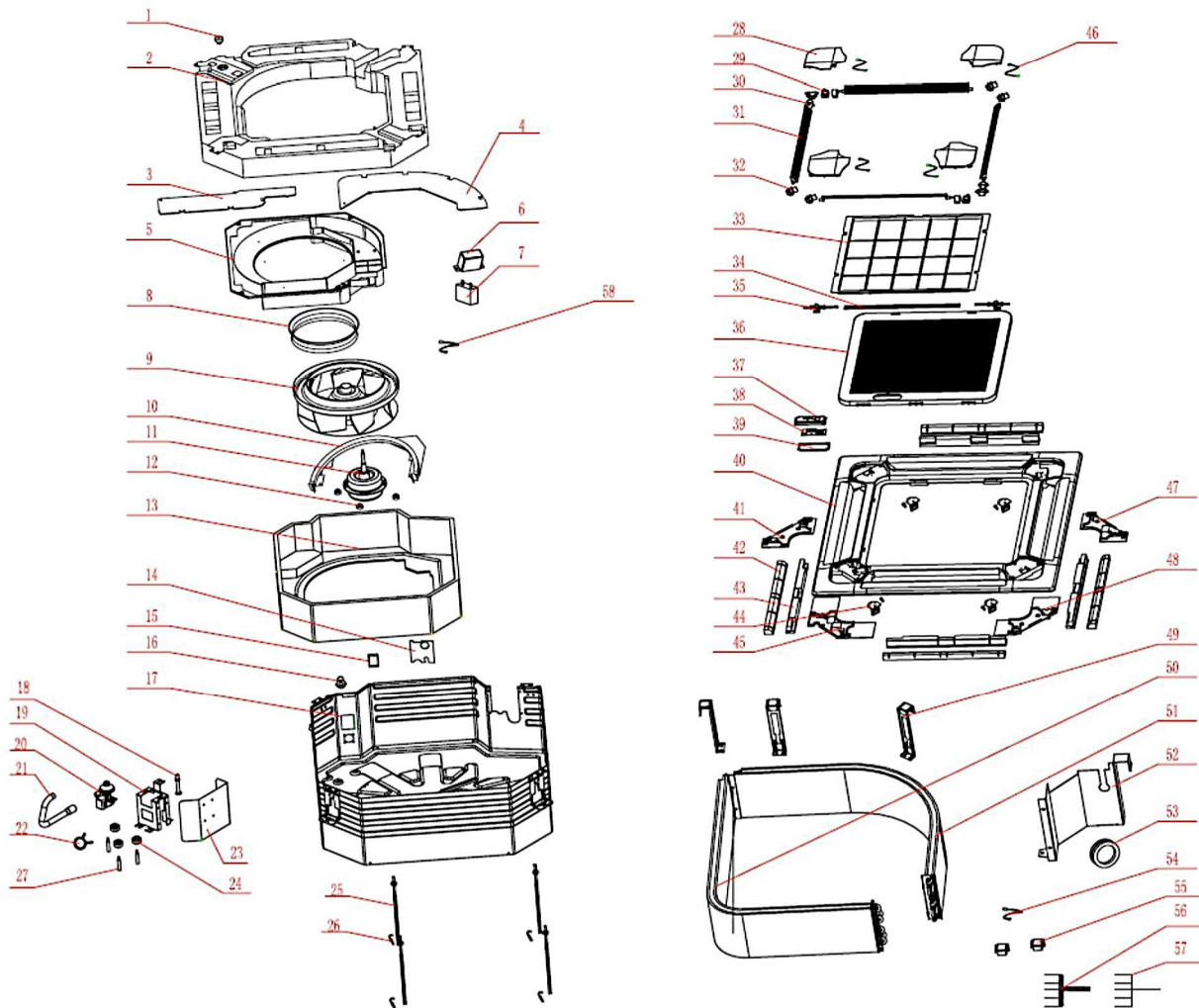


# CEILING CASSETTE TYPE

Indoor Unit

## Exploded View & Parts List

MODEL: KCA-24R2



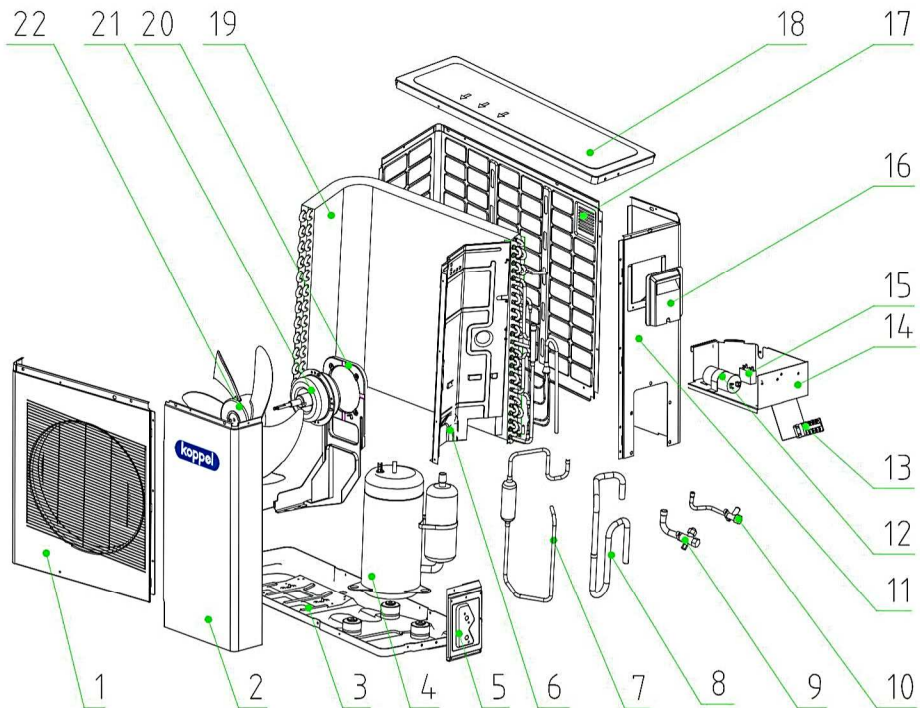
No.	English name	Q.	No.	English name	Q.	No.	English name	Q.
1	Drain plug	1	20	Water pump	1	39	Signal receiver cover	1
2	Drain pan assembly	1	21	Drain pipe 1	1	40	Indoor panel	1
3	Control box cover 1	1	22	Drain pipe clip ring	1	41	Air outtake cover plate 3	1
4	Control box cover 2	1	23	Water baffle	1	42	Panel foam 1	4
5	Control box	1	24	Water pump plastic washer	3	43	Panel foam 1	4
6	Transformer	1	25	Mounting Hanging Bracket Assembly	4	44	Panel hook assembly	4
7	Fan motor capacitor	1	26	Expansion Hook Assembly	4	45	Air outtake cover plate 1	1
8	Air-flow guiding ring	1	27	Water pump supporter fixing pipe bolt	3	46	Mounting cover plate rope	4
9	Fan assembly	1	28	Mounting cover panel	4	47	Air outtake cover plate 2	1
10	Electric heater assembly	1	29	Stepping motor fixing supporter	4	48	Air outtake cover plate 4	1
11	Indoor fan motor	1	30	Stepping motor	4	49	Evaporator fixing plate assembly	3
12	Motor steel washer	6	31	Deflection panel	4	50	Evaporator assembly 1	1
13	Evaporator supporting foam	1	32	Bearing supporter	4	51	Evaporator assembly 2	1
14	Pipes fixing plate	1	33	Filter assembly	1	52	Separating plate	1
15	Checking spot cover plate	1	34	Grill switch fixing panel	1	53	Cable protecting ring	1
16	Drain pipe joint	1	35	Grill switch	2	54	Sensor socket	2
17	Indoor case	1	36	Air intake grill	1	55	Evaporator protection clip	2
18	Water level switch	1	37	Signal receiver panel	1	56	Evaporator distributing tubes assembly	1
19	Water pump supporter	1	38	Signal receiving board	1	57	Evaporator header assembly	1
						58	Coil sensor	1

# CEILING CASSETTE TYPE

Outdoor Unit

## Exploded View & Parts List

MODEL: KPC-24JH2



No.	Name	Qty.	Remark
1	Left front panel assembly	1	
2	Righty front panel assembly	1	
3	Bottom board	1	
4	Compressor	1	
5	Valve board	1	
6	Partition	1	
7	Discharge pipe	1	
8	Suction pipe	1	
9	Low pressure stop valve	1	
10	High pressure stop valve	1	
11	Right rear plate	1	
12	Compressor capacitor	1	
13	Terminal board	1	
14	Electrical box cover	1	
15	Fan motor capacitor	1	
16	Right handler	1	
17	Left rear plate	1	
18	Top plate	1	
19	Condenser	1	
20	Fan motor supporter	1	
21	Outdoor fan motor	1	
22	Axial-flow fan assembly	1	